

## Crestron Flex Video Conference System Integrator Kit for Microsoft Teams® Rooms

The Crestron Flex UC-C100-T integrator kit provides a custom conference solution for use with the Microsoft Teams® Rooms intelligent communications platform. It supports a single video display and features a tabletop touch screen device and UC Bracket Assembly.

### Minimum Requirements

- A USB Camera
- An AEC-enabled USB speakerphone or DSP device
- A video display, connected to the UC Engine.
- A Microsoft Teams or Skype® for Business software account
- An environment running Microsoft Exchange Server® software (2013 SP1 or later for on-premises installation or Microsoft 365® software for Cloud) for scheduling and/or Skype for Business 2015 (on-premises installation or Microsoft 365 software for Cloud)

### UC Bracket Assembly

- 1 UC Bracket Assembly with UC Engine and HDMI® content ingest (6511478)
- 1 Power cord (2053985)  
Mounting hardware

### Additional Items

- 1 PoE injector (6502429)
- 1 Cable, CAT6a, RJ-45 - RJ-45, 20 ft (6.1 m) (6507640)
- 2 Cable, CAT5e, RJ-45 - RJ-45, 7 ft (2.1 m) (6509924)
- 1 Cable, HDMI, 20 ft (6.1 m) (6503567)
- 1 Cable, HDMI, 6 ft (1.8 m) (6503565)
- 1 EDID passthrough (2055728)



### In the Box

#### Tabletop Touch Screen Device

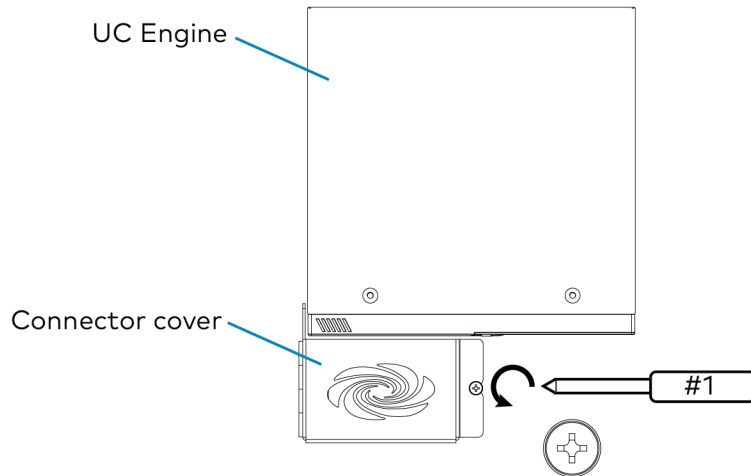
- 1 10.1 in. Tabletop Touch Screen (6510821)
- 1 Grommet, Cable, Closed (2055455)
- 1 Grommet, Cable, Open (2055456)
- 1 Cover, Cable compartment (2055457)

## Crestron Flex Video Conference System Integrator Kit for Microsoft Teams® Rooms

 Connect

To make system connections:

1. Remove the connector cover prior to making connections on the bracket assembly.



2. Make system connections as shown in the following illustrations.

The touch screen can communicate with the bracket assembly over a direct connection or a network connection.

- Choose a [Direct Connection](#) for simple installation and setup.
- Choose a [Network Connection](#) if the touch screen is to be managed by the XiO Cloud® service.

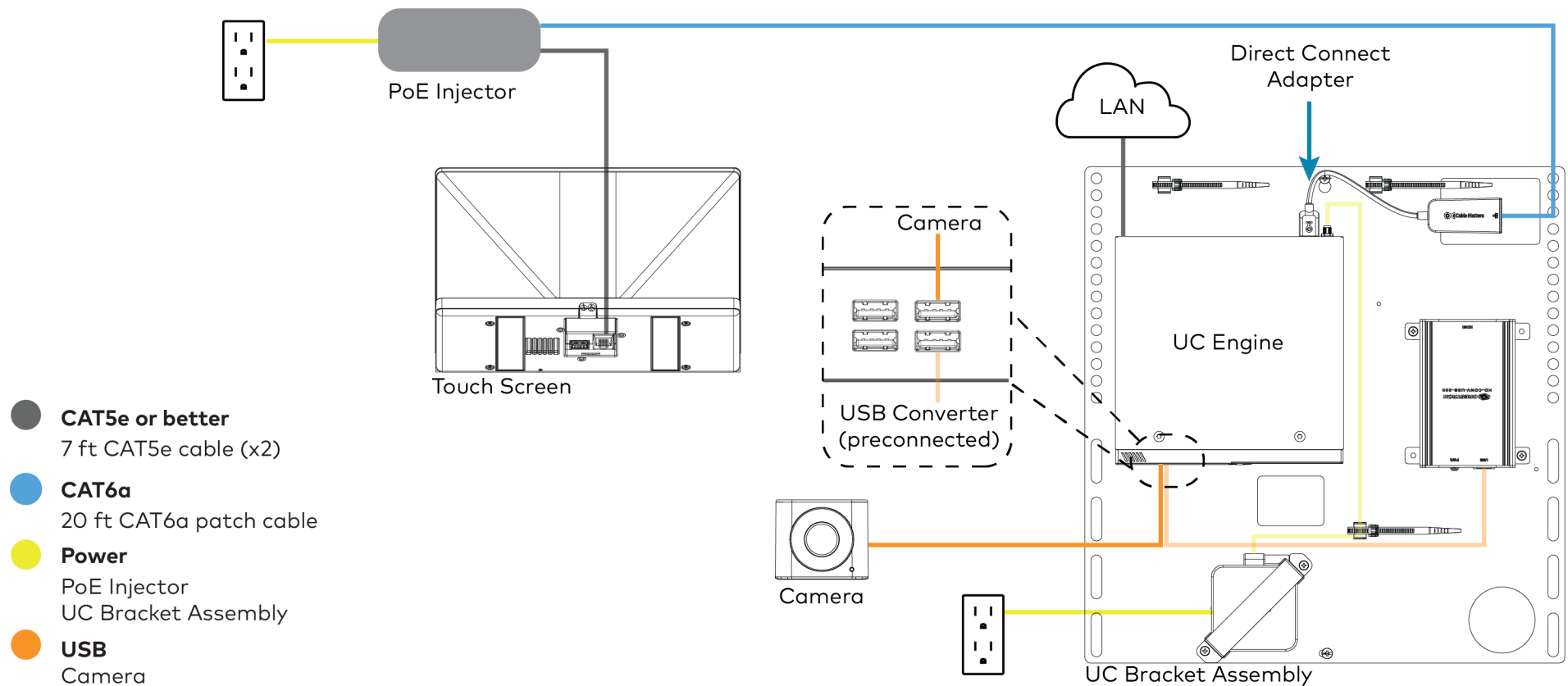
## Crestron Flex Video Conference System Integrator Kit for Microsoft Teams® Rooms

### Direct Connection

For simplified installation and configuration, use a direct Ethernet connection between the LAN port on the touch screen and the direct connect adapter on the top of the UC Engine.

**CAUTION:** Only use the direct connect adapter to connect the touch screen to the bracket assembly. Do not use the direct connect adapter to connect the bracket assembly to the network.

**NOTE:** To manage the touch screen with the XiO Cloud® service, make network connections as shown on the following page.

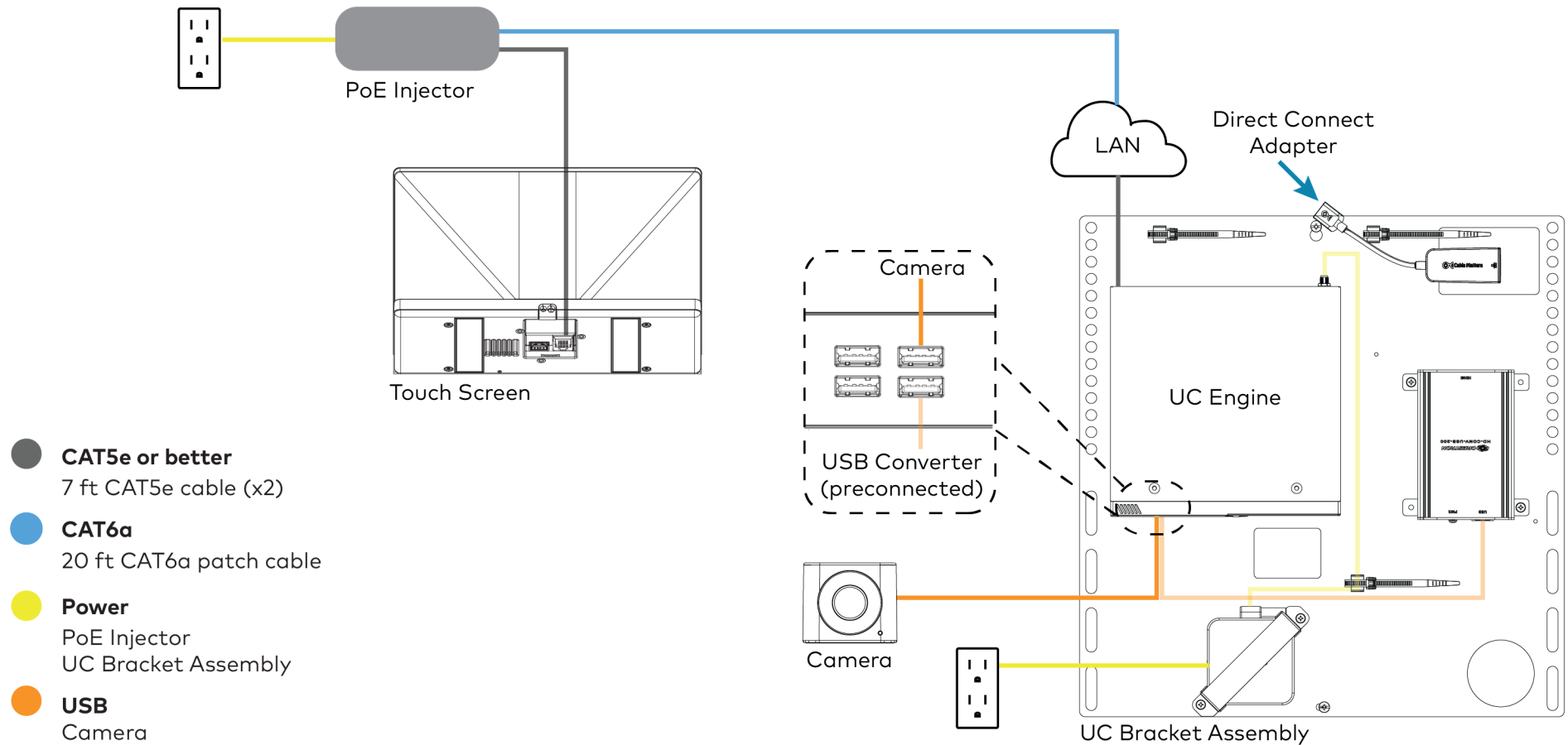


## Crestron Flex Video Conference System Integrator Kit for Microsoft Teams® Rooms

### Network Connection

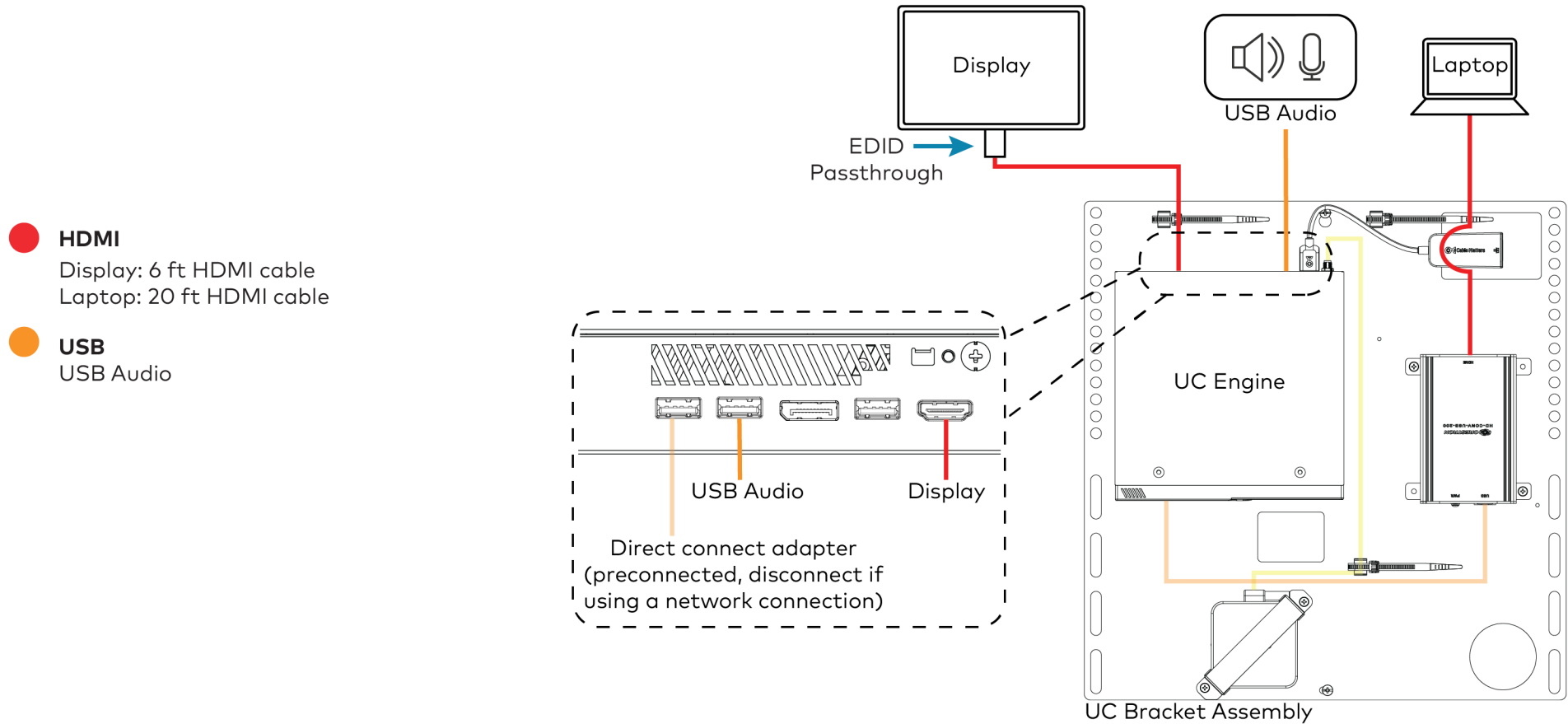
Use a network connection for full network control of the touch screen with the XiO Cloud service.

**NOTE:** When a network connection is used, disconnect the direct connect adapter from the UC Engine.



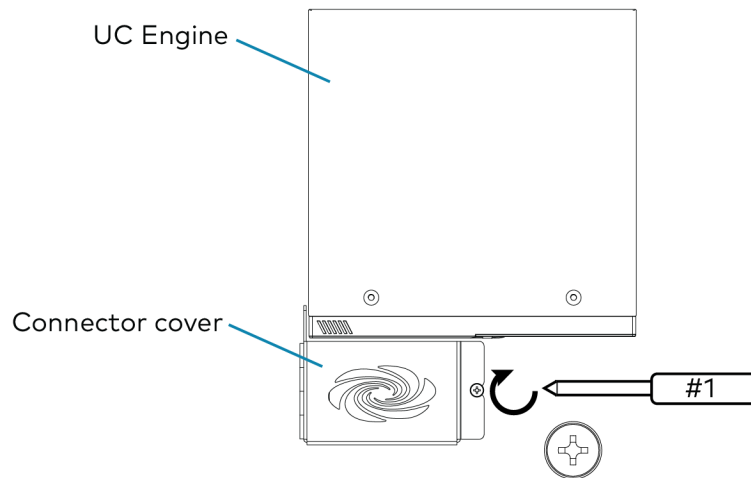
## Crestron Flex Video Conference System Integrator Kit for Microsoft Teams® Rooms

3. Make the remaining system connections as shown below.



## Crestron Flex Video Conference System Integrator Kit for Microsoft Teams® Rooms

- Bundle the cables with the integrated cable tie wraps. The cable tie wraps are reusable.
- After completing the connections, secure the connector cover using a #1 Phillips head screwdriver to replace the screw.



### Configure

#### Apply Power

Press the power button on the bottom of the UC Engine and apply power to all of the other devices in the system.

#### Configure the Touch Screen

**NOTE:** If a direct connection was made during installation, perform steps 1 and 2 below, and skip to [Configure the System](#).

- Tap **Touch Here to Enable a Specific Application** on the bottom of the touch screen. A list of applications is displayed.
- Tap **Teams Video**, and then tap **Confirm**. The touch screen will reboot.
- On a computer, open a web browser to the IP address of the touch screen. Log in and navigate to **Settings > Applications**.

#### NOTES:

- The touch screen (via the PoE injector) and computer must be on the same network switch and VLAN.
  - A login with administrative rights for the touch screen is required.
- Enter the following information in the appropriate fields:
    - Teams Video PC Address:** Enter the IP address or hostname of the UC Engine.
- NOTE:** The hostname is printed on a label affixed to the UC Engine (mounted on the UC bracket assembly).
- Teams Video PC Port:** By default, port number 49500 is used. If a different port number has been configured on the UC Engine, enter that port number instead.
  - Teams Video Username:** Enter the login username for the UC Engine. (The default username is "admin".)
  - Teams Video Password:** Enter the login password for the UC Engine. (The default password is "sfb".)
- Click **Save Changes**.

## Crestron Flex Video Conference System Integrator Kit for Microsoft Teams® Rooms

### Configure the System

Use the touch screen and your Microsoft Teams or Skype account credentials to configure the UC Engine. Refer to the [Crestron Flex UC Video Conference Systems](#) (Doc. 8360) for more information.



### Visit the Product Page

Scan the QR code to visit the product page.

UC-C100-T



[www.crestron.com/model/6511589](http://www.crestron.com/model/6511589)

### Additional Information

#### Original Instructions

The U.S. English version of this document is the original instructions. All other languages are a translation of the original instructions.

Crestron product development software is licensed to Crestron dealers and Crestron Service Providers (CSPs) under a limited nonexclusive, nontransferable Software Development Tools License Agreement. Crestron product operating system software is licensed to Crestron dealers, CSPs, and end-users under a separate End-User License Agreement. Both of these Agreements can be found on the Crestron website at [www.crestron.com/legal/software\\_license\\_agreement](http://www.crestron.com/legal/software_license_agreement).

The product warranty can be found at [www.crestron.com/warranty](http://www.crestron.com/warranty).

The specific patents that cover Crestron products are listed at [www.crestron.com/legal/patents](http://www.crestron.com/legal/patents).

Certain Crestron products contain open source software. For specific information, visit [www.crestron.com/opensource](http://www.crestron.com/opensource).

Crestron, the Crestron logo, and XiO Cloud are either trademarks or registered trademarks of Crestron Electronics, Inc. in the United States and/or other countries. HDMI is either a trademark or registered trademark of HDMI Licensing LLC in the United States and/or other countries. Microsoft 365, Microsoft Exchange Server, Microsoft Teams, and Skype are either trademarks or registered trademarks of Microsoft Corporation in the United States and/or other countries. DisplayPort is either a trademark or registered trademark of Video Electronics Standards Association in the United States and/or other countries. Other trademarks, registered trademarks, and trade names may be used in this document to refer to either the entities claiming the marks and names or their products. Crestron disclaims any proprietary interest in the marks and names of others. Crestron is not responsible for errors in typography or photography.

©2020 Crestron Electronics, Inc.

Doc. 8804A

08/28/20