

Crestron Flex Tabletop Large Room Video Conference System for Zoom Rooms™ Software

The UC-M70-Z Crestron Flex tabletop conferencing system provides a large room video conference solution for use with Zoom Rooms™ software. It supports a single video display and features a Crestron Flex tabletop conference device, UC Bracket Assembly, and AVer® Camera.

Minimum Requirements

- A video display, connected to the UC Engine.
- A Zoom Rooms account or activation code

- 1 Cable, CAT5e, RJ-45 - RJ-45, 7 ft (2.1 m) (6509924)
- 1 Cable, HDMI, 20 ft (6.1 m) (6503567)
- 1 Cable, HDMI, 6 ft (1.8 m) (6503565)
- 1 Cable, USB 2.0, A - Micro-B, 6 ft (1.8 m) (6510947)
- 1 Cable, USB Extension, USB Type A Male-to-Female, 15 ft (4.6 m) (6508260)
- 1 EDID passthrough (2055728)
- 1 Power supply (6500187)



In the Box

- 1 Crestron Flex Tabletop Large Room Video Conference System for Zoom Rooms™ Software (UC-M70-Z, 6511588)

Tabletop Conference Device

- 1 Tabletop Conference Device, Zoom Rooms Software (6508227)
- 1 Cable, CAT5e, RJ-45 - RJ-45, 12 ft (3.7 m) (2033988)
- Cable management hardware

UC Bracket Assembly

- 1 UC Bracket Assembly with UC Engine and HDMI® content ingest (6511479)
- 1 Power cord (2053985)
- Mounting hardware

Additional Items

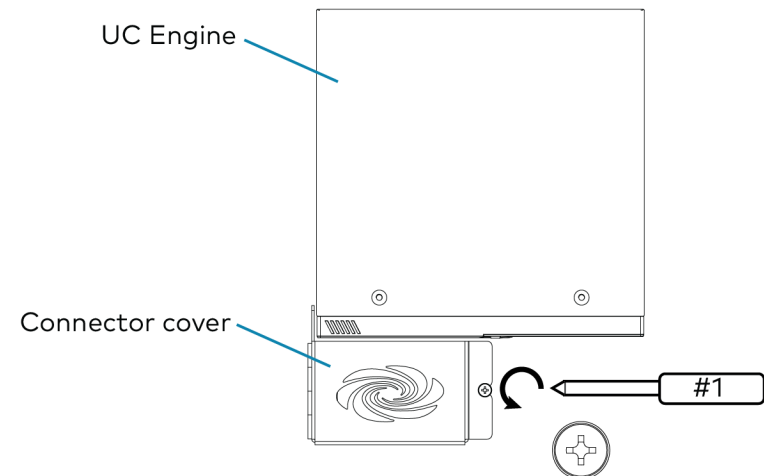
- 1 AVer® CAM520 PRO enterprise-grade camera (6511576)
- 1 Microphone pod (6508084) with cable (2048239)



Connect

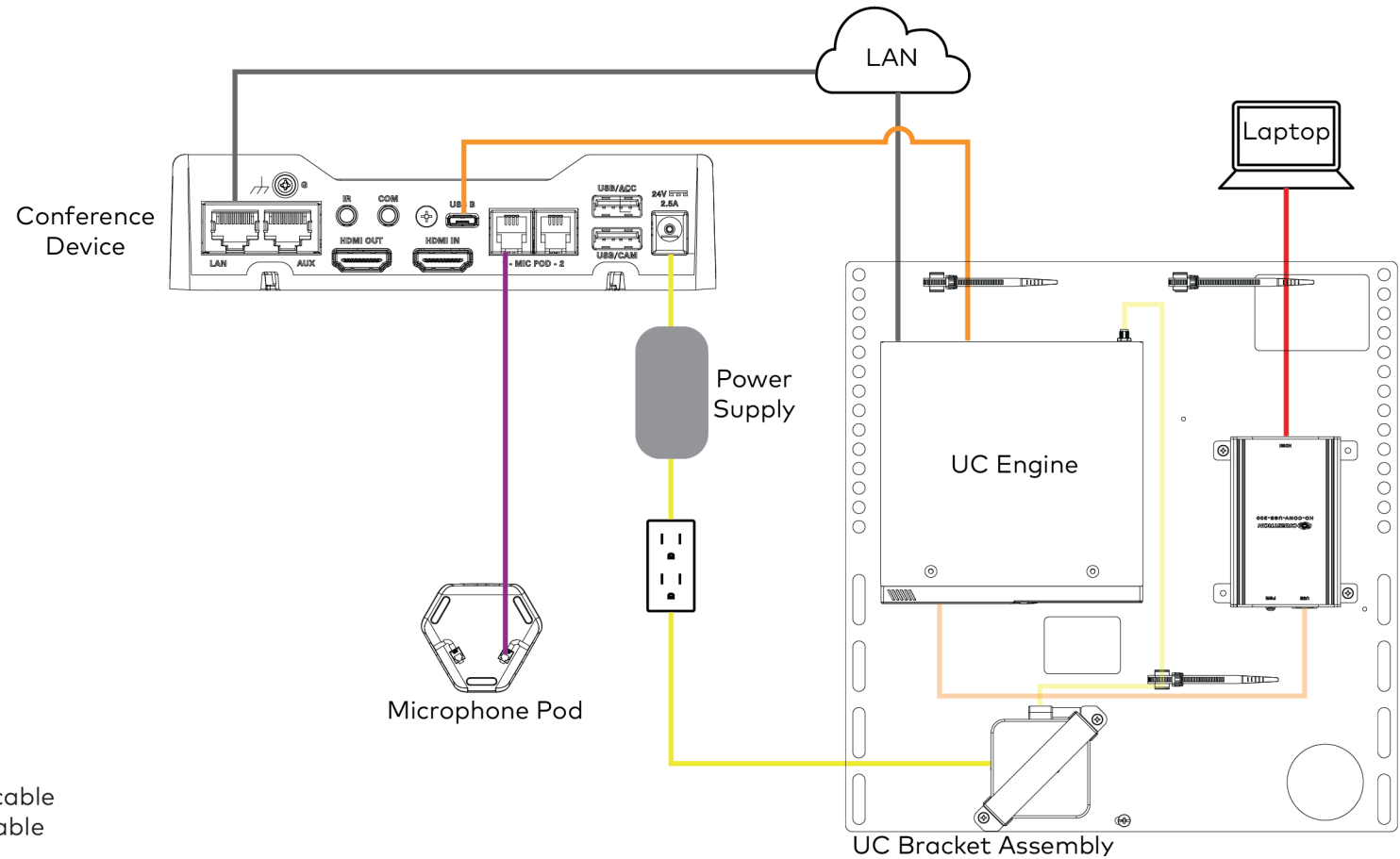
To make system connections:

1. Remove the connector cover prior to making connections on the bracket assembly.



Crestron Flex Tabletop Large Room Video Conference System for Zoom Rooms™ Software

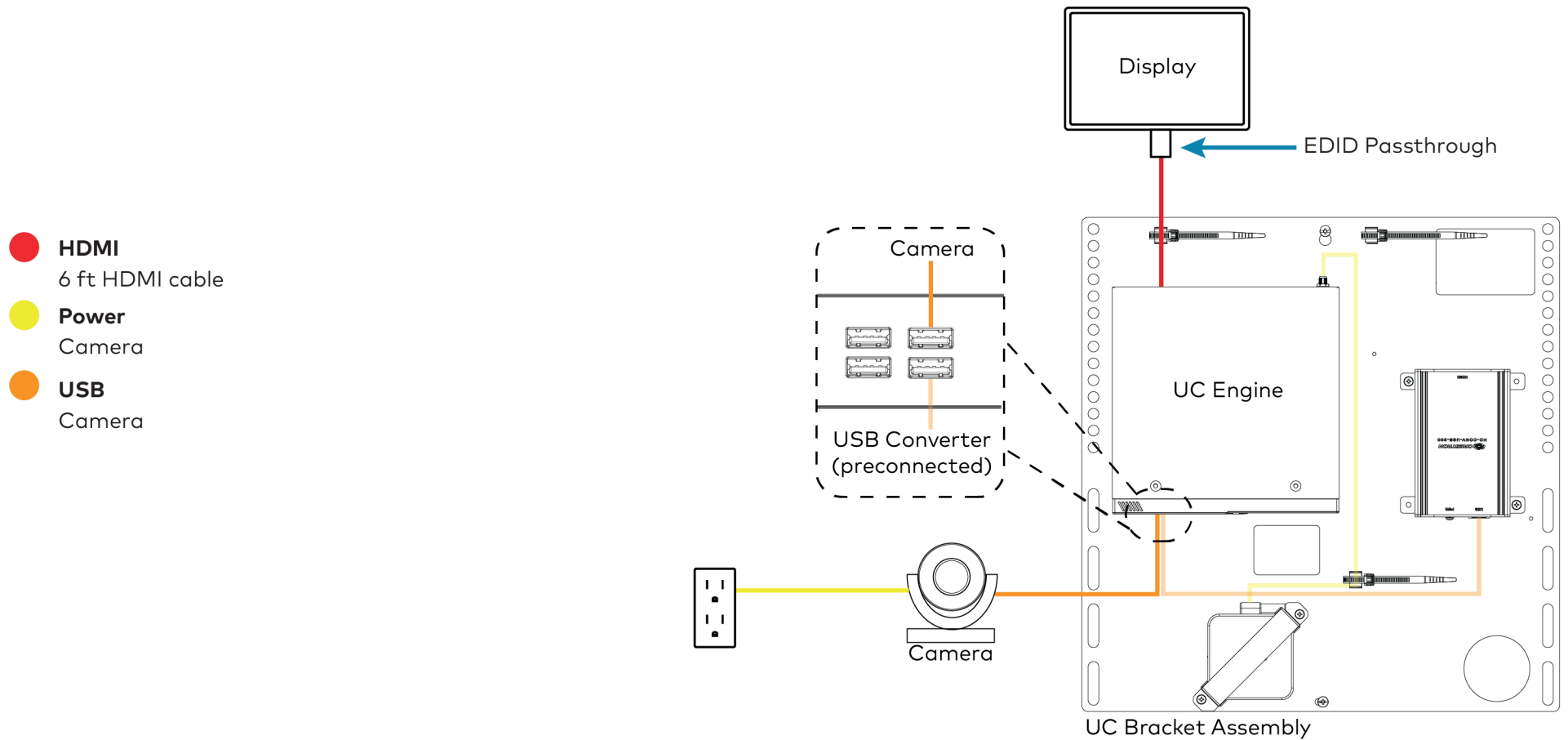
2. Make system connections as shown below.



- **CAT5e or better**
7 ft CAT5e cable
12 ft CAT5e cable
- **HDMI**
20 ft HDMI cable
- **Microphone**
12 ft cable
- **Power**
Power Supply
UC Bracket Assembly
- **USB**
6 ft USB 2.0 A - Micro-B cable
15 ft USB 2.0 extension cable

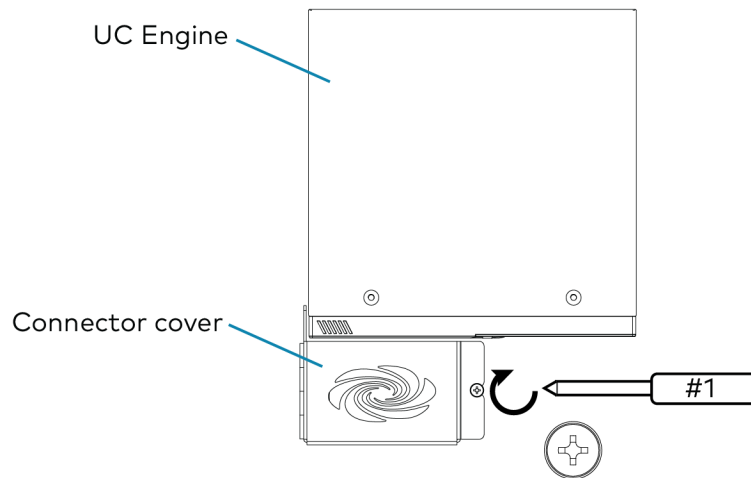
Crestron Flex Tabletop Large Room Video Conference System for Zoom Rooms™ Software

3. Make the remaining system connections as shown below.



Crestron Flex Tabletop Large Room Video Conference System for Zoom Rooms™ Software

- Bundle the cables with the integrated cable tie wraps. The cable tie wraps are reusable.
- After completing the connections, secure the connector cover using a #1 Phillips head screwdriver to replace the screw.



Configure

Apply Power

Press the power button on the bottom of the UC Engine and apply power to all of the other devices in the system. The connected display device will show a pairing code. The conference device will show a prompt to enter a pairing code.

Log In to the Zoom Rooms Service

Use the conference device to sign in to the Zoom Rooms service using an activation code or a Zoom Room Sign-In.

- Tap **Zoom** and then tap **OK**. The device will reboot.
- Enter the pairing code shown on the display to pair the device with the UC Engine. The Zoom Rooms controller app is displayed.
- Log in to the Zoom Rooms service with an activation code or Zoom Rooms Credentials (email and password).
 - **Activation Code:**
 - Tap **Enter Activation Code**.
 - Enter the 16-digit activation code provided by the administrator to activate the Zoom Room that is assigned to the activation code. The Zoom Rooms Conference Room screen is shown on the display.
 - **Sign In:**
 - Tap **Sign In**.
 - Enter the Zoom Room credentials and tap **Sign In**.
 - Select the conference room name from the list and tap **Next**. The Zoom Rooms Conference Room screen is shown on the display.
- Tap **Settings**. If a password is required, enter the password (the default password is "1234"). The **Settings** screen is displayed.
- Tap **Microphone** and select the conference device as the source.
- Tap **Speaker** and select the conference device as the source.
- Tap **Meet Now** to exit.

Configure the System

Connect a USB keyboard and mouse (sold separately) to a USB port on the UC Engine to configure system features. Refer to the [Crestron Flex UC Video Conference Systems](#) (Doc. 8360) for more information.

Crestron Flex Tabletop Large Room Video Conference System for Zoom Rooms™ Software



Visit the Product Page

Scan the QR code to visit the product page.

UC-M70-Z



www.crestron.com/model/6511588

Additional Information

Original Instructions

The U.S. English version of this document is the original instructions. All other languages are a translation of the original instructions.

Crestron product development software is licensed to Crestron dealers and Crestron Service Providers (CSPs) under a limited nonexclusive, nontransferable Software Development Tools License Agreement. Crestron product operating system software is licensed to Crestron dealers, CSPs, and end-users under a separate End-User License Agreement. Both of these Agreements can be found on the Crestron website at www.crestron.com/legal/software_license_agreement.

The product warranty can be found at www.crestron.com/warranty.

The specific patents that cover Crestron products are listed at www.crestron.com/legal/patents.

Certain Crestron products contain open source software. For specific information, visit www.crestron.com/opensource.

Crestron, the Crestron logo, and XiO Cloud are either trademarks or registered trademarks of Crestron Electronics, Inc. in the United States and/or other countries. HDMI is either a trademark or registered trademark of HDMI Licensing LLC in the United States and/or other countries. DisplayPort is either a trademark or registered trademark of Video Electronics Standards Association in the United States and/or other countries. Zoom Rooms is either a trademark or registered trademark of Zoom Video Communications, Inc. in the United States and/or other countries. Other trademarks, registered trademarks, and trade names may be used in this document to refer to either the entities claiming the marks and names or their products. Crestron disclaims any proprietary interest in the marks and names of others. Crestron is not responsible for errors in typography or photography.

©2020 Crestron Electronics, Inc.

Doc. 8798A

08/24/20