

Crestron Flex Tabletop Small Room Video Conference System for Microsoft Teams® Rooms Systems

The UC-MM30-T and UC-MM30-T-I Crestron Flex tabletop conference systems provide small room video conference solutions for use with the Microsoft Teams® Rooms intelligent communications platform. They support a single video display and feature a Crestron Flex tabletop conference device, UC Bracket Assembly, and Huddly IQ™ Lite camera.

Minimum Requirements

- A video display, connected to the UC Engine.
- A Microsoft Teams or Skype® for Business software account
- An environment running Microsoft Exchange Server® software (2013 SP1 or later for on-premises installation or Microsoft 365® software for Cloud) for scheduling and/or Skype for Business 2015 (on-premises installation or Microsoft 365 software for Cloud)



In the Box

Tabletop Conference Device

- 1 Flex MM Tabletop Conference Device, Microsoft Teams video (6511613 or 6511614)
- 1 PoE+ Injector (2055605)
- 2 Cable, CAT5e, RJ-45 - RJ-45, 11.8 ft (3.6 m) (2056204)
- 1 Cable, USB 2.0, A - Micro B, 5.8 ft (1.8 m) (2055579)

UC Bracket Assembly

- 1 UC Bracket Assembly with UC Engine and HDMI® content ingest (6511478)
- 1 Power cord (2053985)
- Mounting hardware

Additional Items

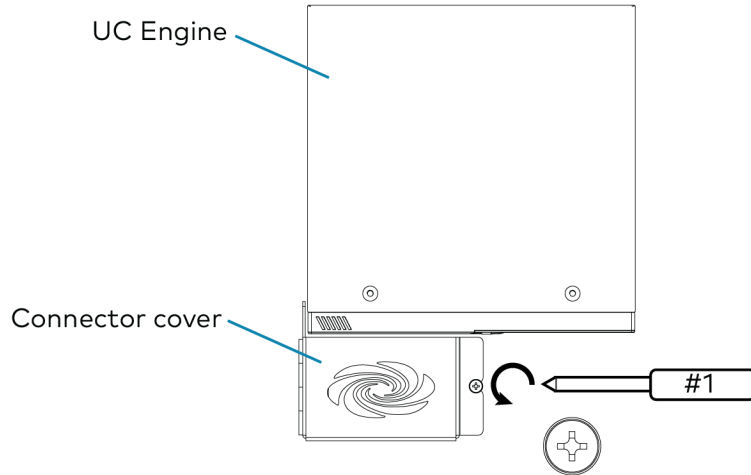
- 1 Huddly IQ™ Lite collaboration camera (6511463)
- 1 Camera wall mount kit (6510998)
- 1 Cable, CAT6a, RJ-45 - RJ-45, 20 ft (6.1 m) (6507640)
- 1 Cable, CAT5e, RJ-45 - RJ-45, 7 ft (2.1 m) (6509924)
- 1 Cable, HDMI, 20 ft (6.1 m) (6503567)
- 1 Cable, HDMI, 6 ft (1.8 m) (6503565)
- 1 Cable, USB 3.0, Right angle USB-C® - A, 6 ft (1.8 m) (6511591)
- 1 Cable, USB Extension, USB Type A Male-to-Female, 15 ft (4.6 m) (6508260)
- 1 EDID passthrough (2055728)

Crestron Flex Tabletop Small Room Video Conference System for Microsoft Teams® Rooms Systems

Connect

To make system connections:

1. Remove the connector cover prior to making connections on the bracket assembly.



2. Make system connections as shown in the following illustrations.

The conference device can communicate with the bracket assembly over a direct connection or a network connection.

- Choose a [Direct Connection](#) for simple installation and setup.
- Choose a [Network Connection](#) if the conference device is to be managed by the XiO Cloud® service.

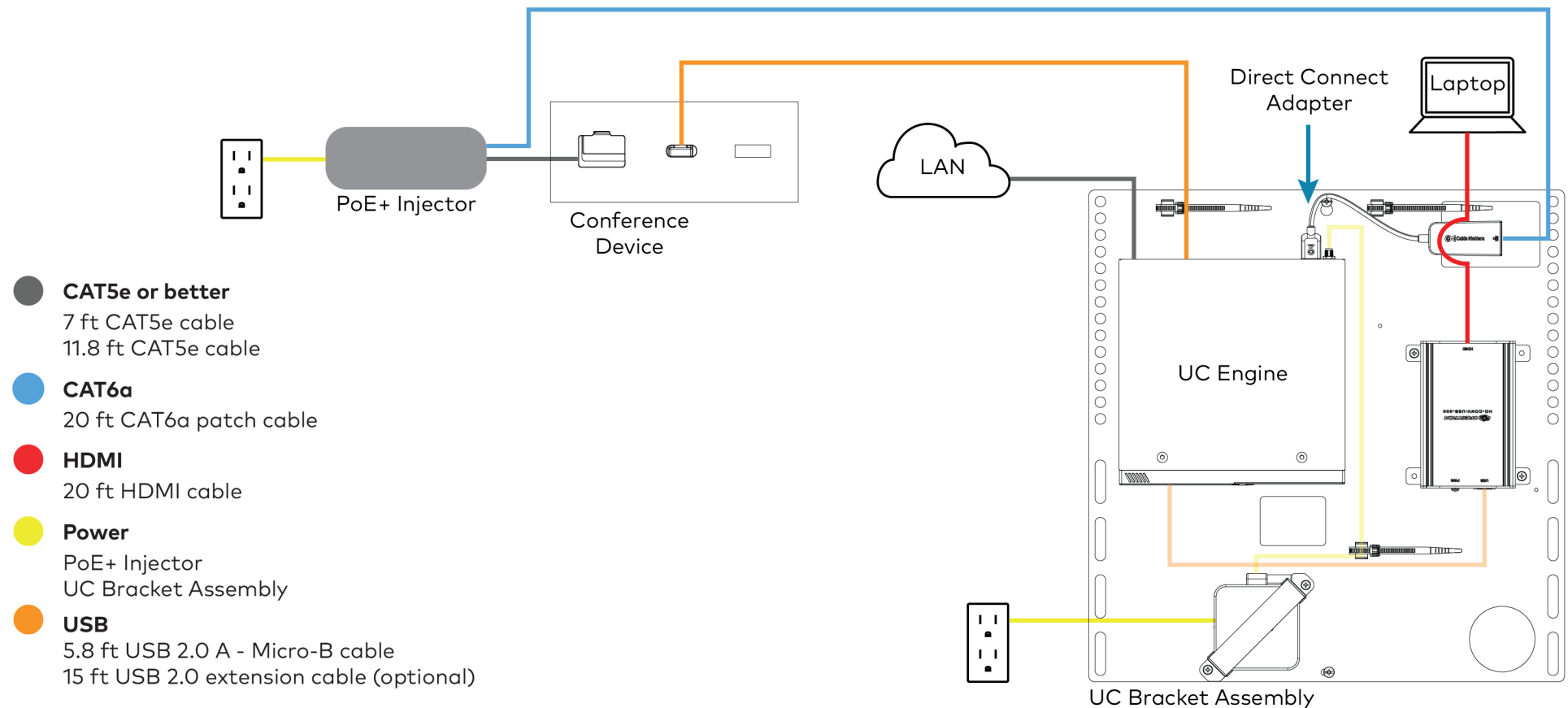
Crestron Flex Tabletop Small Room Video Conference System for Microsoft Teams® Rooms Systems

Direct Connection

For simplified installation and configuration, use a direct Ethernet connection between the LAN port on the conference device and the direct connect adapter on the top of the UC Engine.

CAUTION: Only use the direct connect adapter to connect the conference device to the bracket assembly. Do not use the direct connect adapter to connect the bracket assembly to the network.

NOTE: To manage the conference device with the XiO Cloud® service, make network connections as shown on the following page.

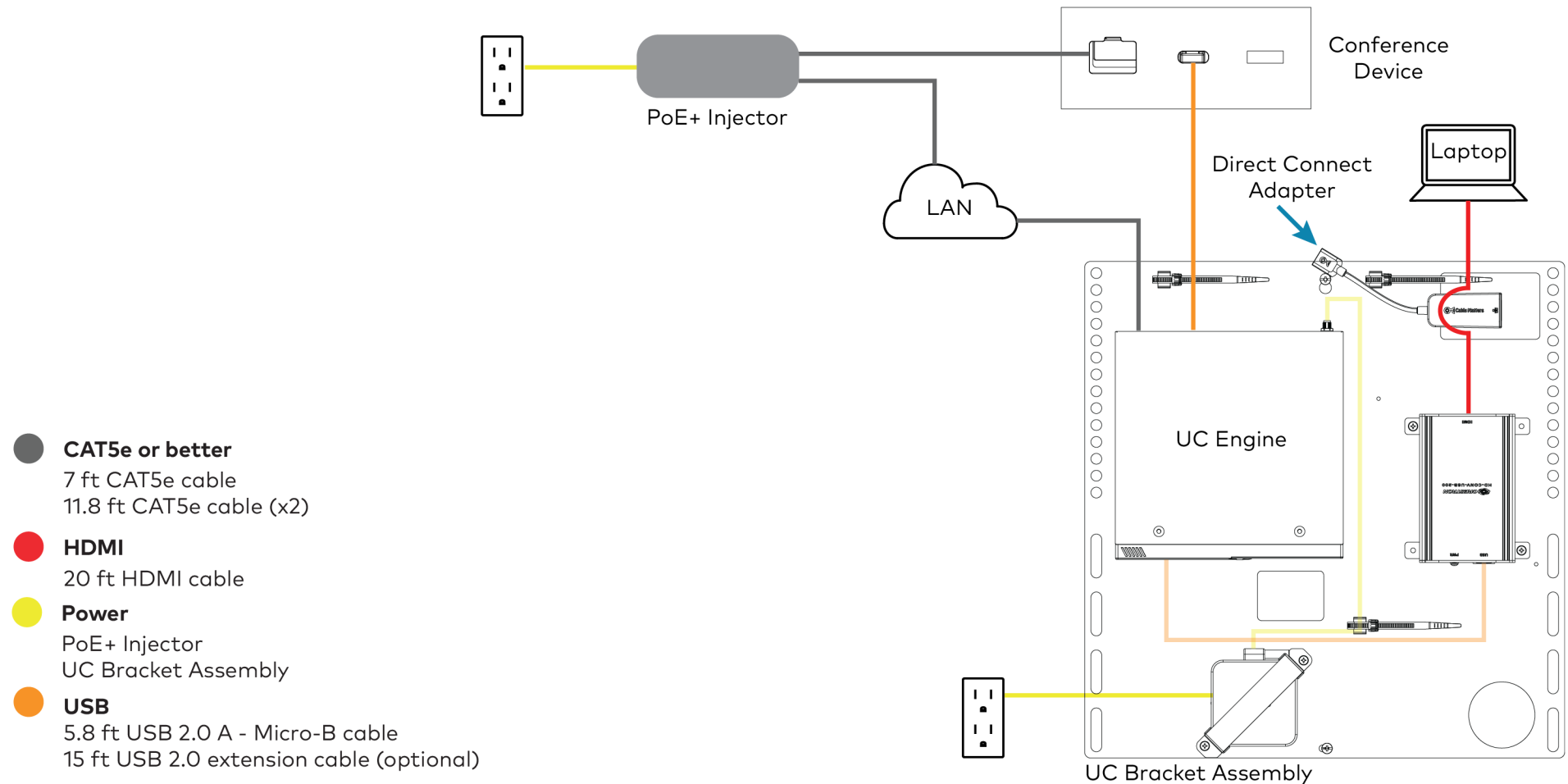


Crestron Flex Tabletop Small Room Video Conference System for Microsoft Teams® Rooms Systems

Network Connection

Use a network connection for full network control of the conference device with the XiO Cloud service.

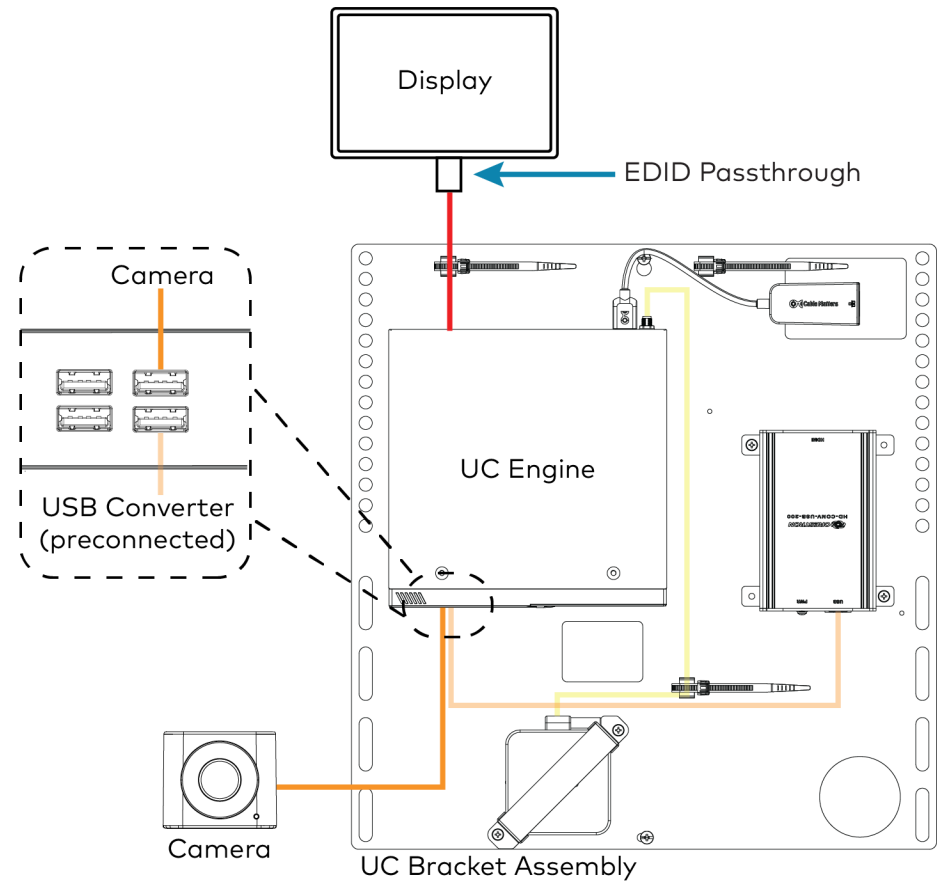
NOTE: When a network connection is used, disconnect the direct connect adapter from the UC Engine.



Crestron Flex Tabletop Small Room Video Conference System for Microsoft Teams® Rooms Systems

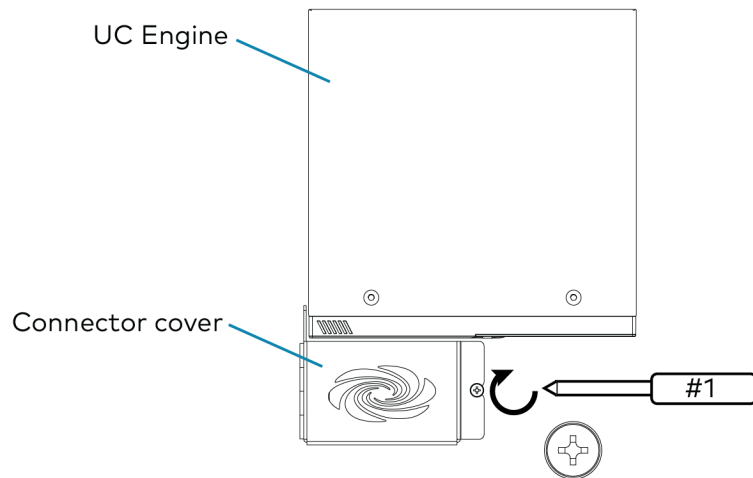
3. Make the remaining system connections as shown below.

- HDMI**
6 ft HDMI cable
- USB**
6 ft USB 3.0, right angle USB-C - A



Crestron Flex Tabletop Small Room Video Conference System for Microsoft Teams® Rooms Systems

- Bundle the cables with the integrated cable tie wraps. The cable tie wraps are reusable.
- After completing the connections, secure the connector cover using a #1 Phillips head screwdriver to replace the screw.



Configure

Apply Power

Press the power button on the bottom of the UC Engine and apply power to all of the other devices in the system.

Configure the Conference Device

- On a computer, open a web browser to the IP address found in the conference device's settings.

NOTES:

- The device and computer must be on the same network switch and VLAN.
- A login with administrative rights for the device is required.

- Log in to the device and navigate to **DEVICE > Applications**.

- Enter the following information in the appropriate fields:

- Teams Video PC Address:** Enter the IP address or hostname of the UC Engine.

NOTE: The hostname is printed on a label affixed to the UC Engine.

- Teams Video PC Port:** By default, port number 49500 is used. If a different port number has been configured on the UC Engine, enter that port number instead.
- Teams Video Username:** Enter the login username for the UC Engine. (The default username is "admin".)
- Teams Video Password:** Enter the login password for the UC Engine. (The default password is "sfb".)

- Click **Save Changes**.

Configure the System

Use the conference device and your Microsoft Teams or Skype account credentials to configure the UC Engine. Refer to the [Crestron Flex UC Video Conference Systems](#) (Doc. 8360) for more information.

Crestron Flex Tabletop Small Room Video Conference System for Microsoft Teams® Rooms Systems

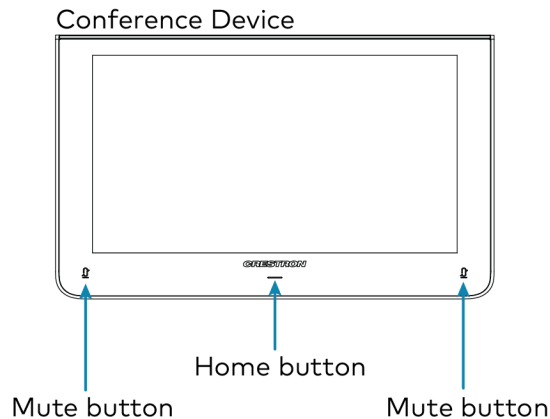


Factory Reset

A factory reset may be performed when troubleshooting.

To perform a factory reset on the conference device:

1. Power cycle the device by disconnecting and reapplying power.
2. When the device powers on and the LEDs flash green, tap the home button below the Crestron® logo 10 times.
3. When prompted, confirm the factory reset. Use the mute buttons to move the selector to **Yes**. Press the home button to confirm.



4. The device will reboot. Configure the device as described in [Configure](#).



Visit the Product Page

Scan the QR code to visit the product page.

UC-MM30-T



www.crestron.com/model/6511339

UC-MM30-T-I



www.crestron.com/model/6511340

Crestron Flex Tabletop Small Room Video Conference System for Microsoft Teams® Rooms Systems

Additional Information

Original Instructions

The U.S. English version of this document is the original instructions.
All other languages are a translation of the original instructions.

Crestron product development software is licensed to Crestron dealers and Crestron Service Providers (CSPs) under a limited nonexclusive, nontransferable Software Development Tools License Agreement. Crestron product operating system software is licensed to Crestron dealers, CSPs, and end-users under a separate End-User License Agreement. Both of these Agreements can be found on the Crestron website at www.crestron.com/legal/software_license_agreement.

The product warranty can be found at www.crestron.com/warranty.

The specific patents that cover Crestron products are listed at www.crestron.com/legal/patents.

Certain Crestron products contain open source software. For specific information, visit www.crestron.com/opensource.

Crestron, the Crestron logo, and XiO Cloud are either trademarks or registered trademarks of Crestron Electronics, Inc. in the United States and/or other countries. HDMI is either a trademark or registered trademark of HDMI Licensing LLC in the United States and/or other countries. Huddly IQ is either a trademark or registered trademark of Huddly AS in the United States and/or other countries. Microsoft 365, Microsoft Exchange Server, Microsoft Teams, and Skype are either trademarks or registered trademarks of Microsoft Corporation in the United States and/or other countries. USB-C is either a trademark or registered trademark of USB Implementers Forum, Inc. in the United States and/or other countries. DisplayPort is either a trademark or registered trademark of Video Electronics Standards Association in the United States and/or other countries. Other trademarks, registered trademarks, and trade names may be used in this document to refer to either the entities claiming the marks and names or their products. Crestron disclaims any proprietary interest in the marks and names of others. Crestron is not responsible for errors in typography or photography.

©2020 Crestron Electronics, Inc.

Doc. 8836A

08/28/20