

## Crestron Flex Advanced Tabletop Medium Room Video Conference System for Microsoft Teams® Rooms

The UC-MX50-T Crestron Flex advanced tabletop conferencing system provides a medium room video conference solution for use with the Microsoft Teams® Rooms intelligent communications platform. It supports single or dual video displays and features a Crestron Flex tabletop conference device, UC Bracket Assembly, and Huddly IQ™ collaboration camera.

### Minimum Requirements

- A video display, connected to the UC Engine. A second video display is optional.
- A Microsoft Teams or Skype® for Business software account
- An environment running Microsoft Exchange Server® software (2013 SP1 or later for on-premises installation or Microsoft 365® software for Cloud) for scheduling and/or Skype for Business 2015 (on-premises installation or Microsoft 365 software for Cloud)



### In the Box

#### Tabletop Conference Device

- 1 Tabletop Conference Device, Microsoft Teams video (6510610)
- 1 Cable, CAT5e, RJ-45 - RJ-45, 12 ft (3.7 m) (2033988)
- 1 Power supply (2045873) with cord (2042043)
- Cable management hardware

#### UC Bracket Assembly

- 1 UC Bracket Assembly with UC Engine and HDMI® or AV over CAT5 content ingest (6511476)
- 1 Power pack (2045870) with cord (2053985)
- Mounting hardware

#### Additional Items

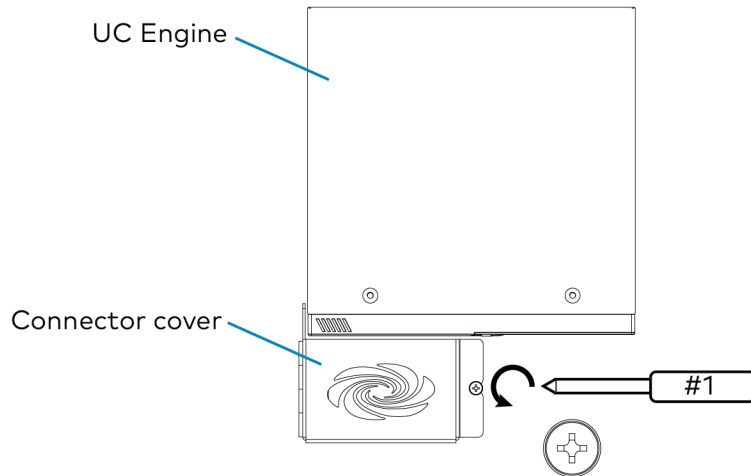
- 1 Huddly IQ™ collaboration camera (6510482)
- 1 Camera wall mount kit (6510998)
- 2 Cable, CAT6a, RJ-45 - RJ-45, 20 ft (6.1 m) (6507640)
- 1 Cable, CAT5e, RJ-45 - RJ-45, 7 ft (2.1 m) (6509924)
- 1 Cable, DisplayPort™ to HDMI, 6 ft (1.8 m) (6508282)
- 1 Cable, HDMI, 6 ft (1.8 m) (6503565)
- 1 Cable, thin HDMI®, 6 ft (1.8 m) (6510946)
- 1 Cable, USB 2.0, A - Micro-B, 6 ft (1.8 m) (6510947)
- 1 Cable, USB 3.0, Right angle USB-C® - A, 6 ft (1.8 m) (6511591)
- 2 EDID passthrough (2055728)
- 1 Power supply (6500187)

## Crestron Flex Advanced Tabletop Medium Room Video Conference System for Microsoft Teams® Rooms

 **Connect**

To make system connections:

1. Remove the connector cover prior to making connections on the bracket assembly.



2. Make system connections as shown in the following illustrations.

The conference device can communicate with the bracket assembly over a direct connection or a network connection.

- Choose a [Direct Connection](#) for simple installation and setup.
- Choose a [Network Connection](#) if the conference device is to be managed by the XiO Cloud® service.

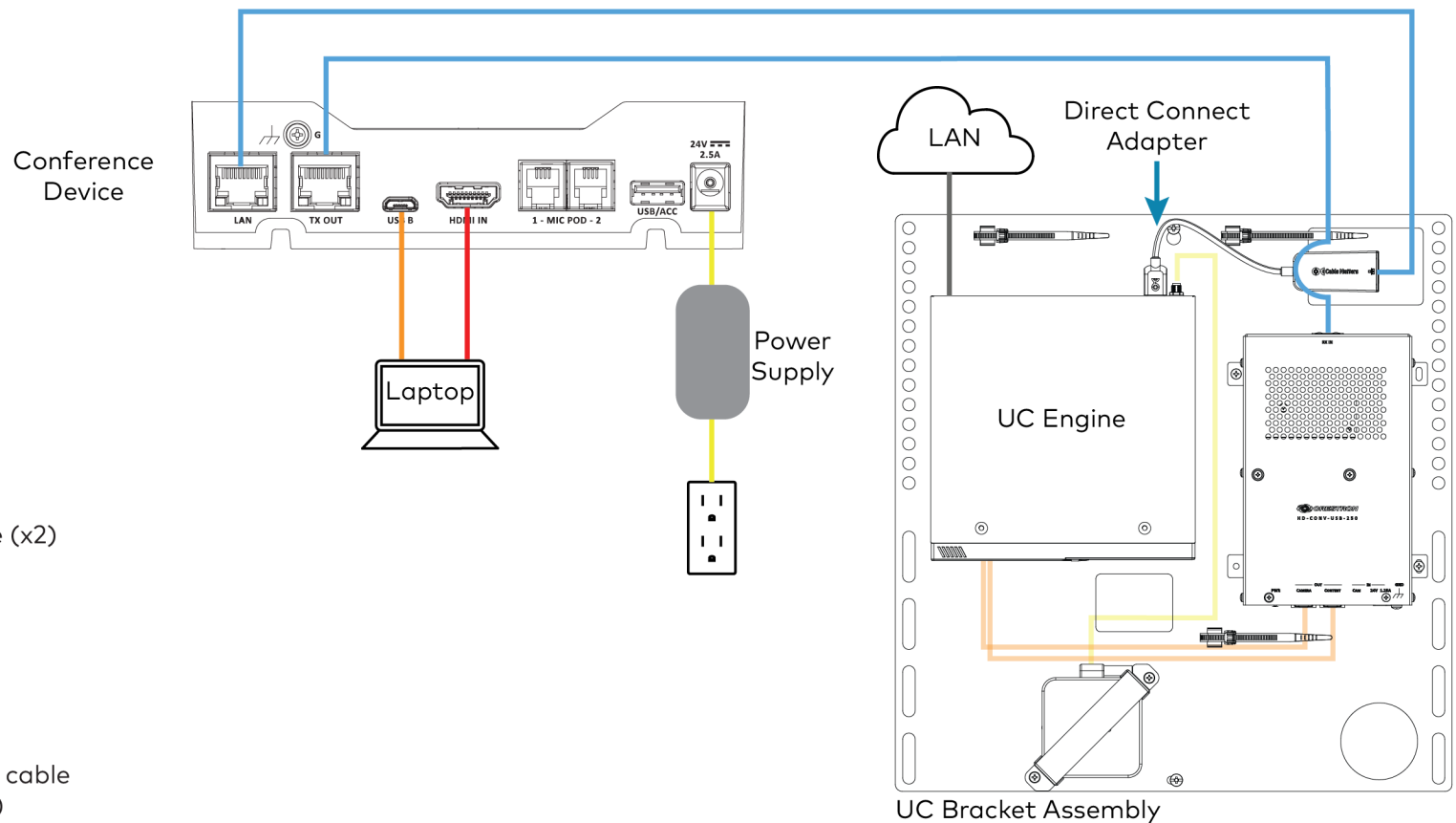
## Crestron Flex Advanced Tabletop Medium Room Video Conference System for Microsoft Teams® Rooms

### Direct Connection

For simplified installation and configuration, use a direct Ethernet connection between the LAN port on the conference device and the direct connect adapter on the top of the UC Engine.

**CAUTION:** Only use the direct connect adapter to connect the conference device to the bracket assembly. Do not use the direct connect adapter to connect the bracket assembly to the network.

**NOTE:** To manage the conference device with the XiO Cloud® service, make network connections as shown on the following page.



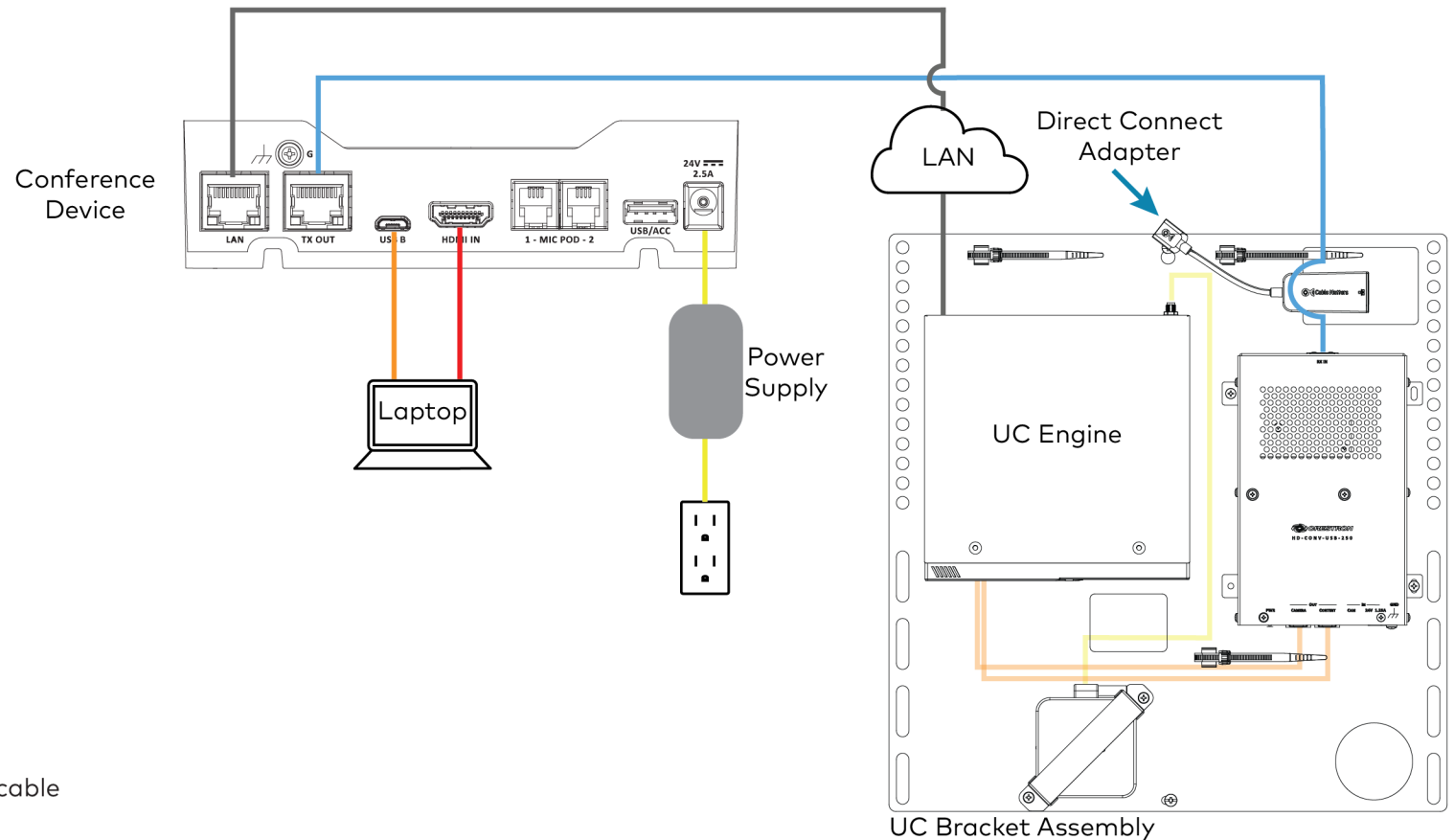
- **CAT5e or better**  
7 ft CAT5e cable
- **CAT6a**  
20 ft CAT6a patch cable (x2)
- **HDMI**  
6 ft Thin HDMI cable
- **Power**  
Power supply
- **USB**  
6 ft USB 2.0 A - Micro-B cable  
(for BYOD functionality)

## Crestron Flex Advanced Tabletop Medium Room Video Conference System for Microsoft Teams® Rooms

### Network Connection

Use a network connection for full network control of the conference device with the XiO Cloud service.

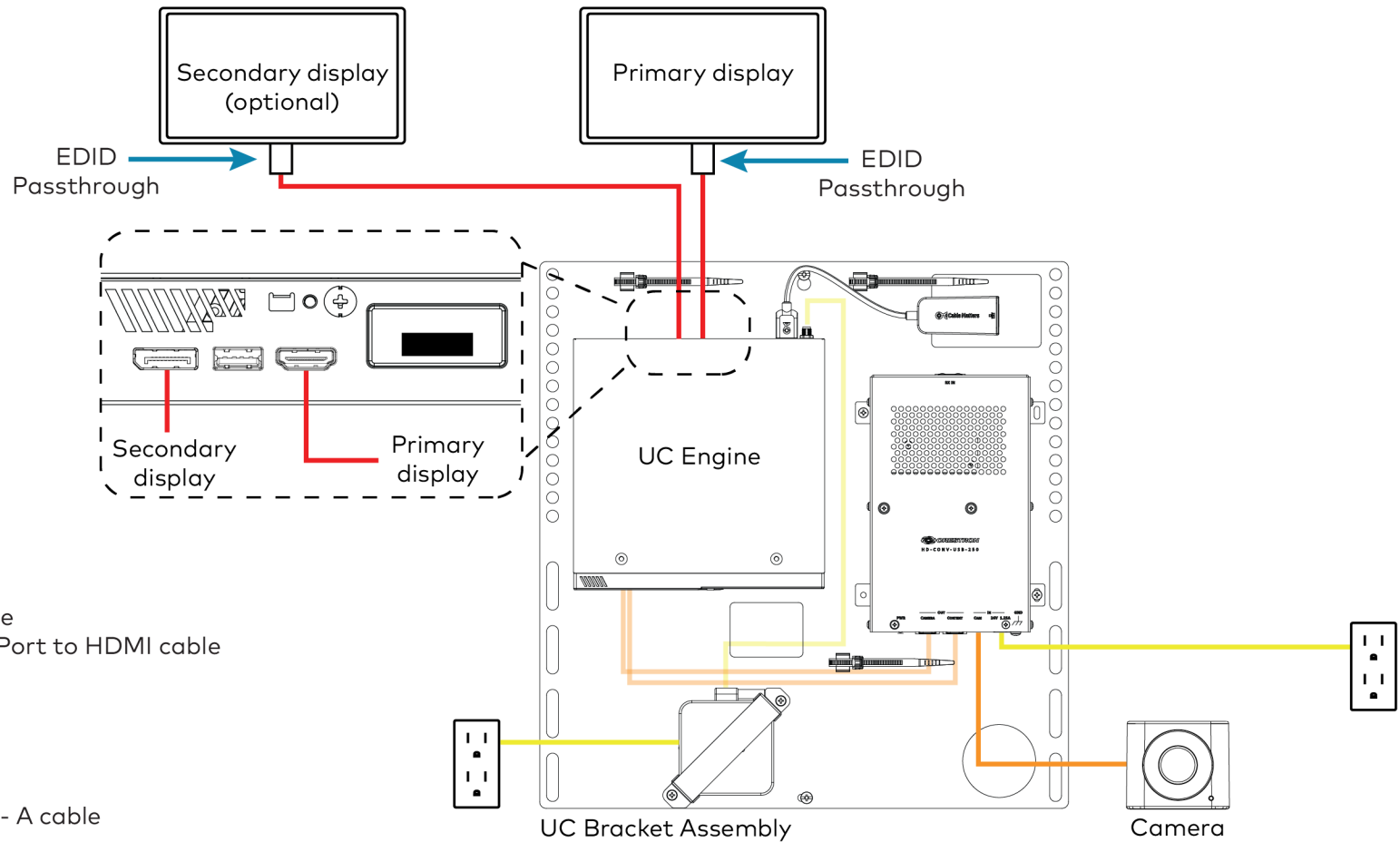
**NOTE:** When a network connection is used, disconnect the direct connect adapter from the UC Engine.



- **CAT5e or better**  
7 ft CAT5e cable  
12 ft CAT5e cable
- **CAT6a**  
20 ft CAT6a patch cable
- **HDMI**  
6 ft Thin HDMI cable
- **Power**  
Power supply
- **USB**  
6 ft USB 2.0 A - Micro-B cable  
(for BYOD functionality)

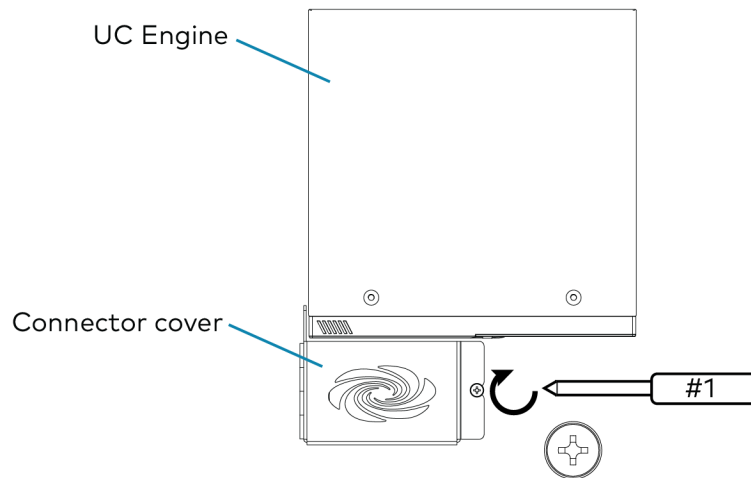
## Crestron Flex Advanced Tabletop Medium Room Video Conference System for Microsoft Teams® Rooms

3. Make the remaining system connections as shown below.



## Crestron Flex Advanced Tabletop Medium Room Video Conference System for Microsoft Teams® Rooms

- Bundle the cables with the integrated cable tie wraps. The cable tie wraps are reusable.
- After completing the connections, secure the connector cover using a #1 Phillips head screwdriver to replace the screw.



### Configure

### Apply Power

Press the power button on the bottom of the UC Engine and apply power to all of the other devices in the system.

### Configure the Conference Device

- Tap **Teams Video** and then tap **OK**. The device will reboot.

**NOTE:** If the device is directly connected to the UC Engine, refer to [Configure the System](#). Otherwise, continue below.

- On a computer, open a web browser to the IP address displayed on the tabletop conference device to configure the device to operate in Teams Video mode.

#### NOTES:

- The device and computer must be on the same network switch and VLAN.
- A login with administrative rights for the device is required.

- Log in to the device and navigate to **DEVICE > Applications**.
- Enter the following information in the appropriate fields:
  - Teams Video PC Address:** Enter the IP address or hostname of the UC Engine.

**NOTE:** The hostname is printed on a label affixed to the UC Engine.

- Teams Video PC Port:** By default, port number 49500 is used. If a different port number has been configured on the UC Engine, enter that port number instead.
  - Teams Video Username:** Enter the login username for the UC Engine. (The default username is "admin".)
  - Teams Video Password:** Enter the login password for the UC Engine. (The default password is "sfb".)
- Click **Save Changes**.

## Crestron Flex Advanced Tabletop Medium Room Video Conference System for Microsoft Teams® Rooms

### Configure the System

Use the conference device and your Microsoft Teams or Skype account credentials to configure the UC Engine. Refer to the [Crestron Flex UC Video Conference Systems](#) (Doc. 8360) for more information.



### Visit the Product Page

Scan the QR code to visit the product page.

UC-MX50-T



[www.crestron.com/model/6511600](http://www.crestron.com/model/6511600)

### Additional Information

#### Original Instructions

The U.S. English version of this document is the original instructions. All other languages are a translation of the original instructions.

Crestron product development software is licensed to Crestron dealers and Crestron Service Providers (CSPs) under a limited nonexclusive, nontransferable Software Development Tools License Agreement. Crestron product operating system software is licensed to Crestron dealers, CSPs, and end-users under a separate End-User License Agreement. Both of these Agreements can be found on the Crestron website at [www.crestron.com/legal/software\\_license\\_agreement](http://www.crestron.com/legal/software_license_agreement).

The product warranty can be found at [www.crestron.com/warranty](http://www.crestron.com/warranty).

The specific patents that cover Crestron products are listed at [www.crestron.com/legal/patents](http://www.crestron.com/legal/patents).

Certain Crestron products contain open source software. For specific information, visit [www.crestron.com/opensource](http://www.crestron.com/opensource).

Crestron, the Crestron logo, and XiO Cloud are either trademarks or registered trademarks of Crestron Electronics, Inc. in the United States and/or other countries. HDMI is either a trademark or registered trademark of HDMI Licensing LLC in the United States and/or other countries. Huddly IQ is either a trademark or registered trademark of Huddly AS in the United States and/or other countries. Microsoft 365, Microsoft Exchange Server, Microsoft Teams, and Skype are either trademarks or registered trademarks of Microsoft Corporation in the United States and/or other countries. USB-C is either a trademark or registered trademark of USB Implementers Forum, Inc. in the United States and/or other countries. DisplayPort is either a trademark or registered trademark of Video Electronics Standards Association in the United States and/or other countries. Other trademarks, registered trademarks, and trade names may be used in this document to refer to either the entities claiming the marks and names or their products. Crestron disclaims any proprietary interest in the marks and names of others. Crestron is not responsible for errors in typography or photography.

©2020 Crestron Electronics, Inc.

Doc. 8834A

08/28/20